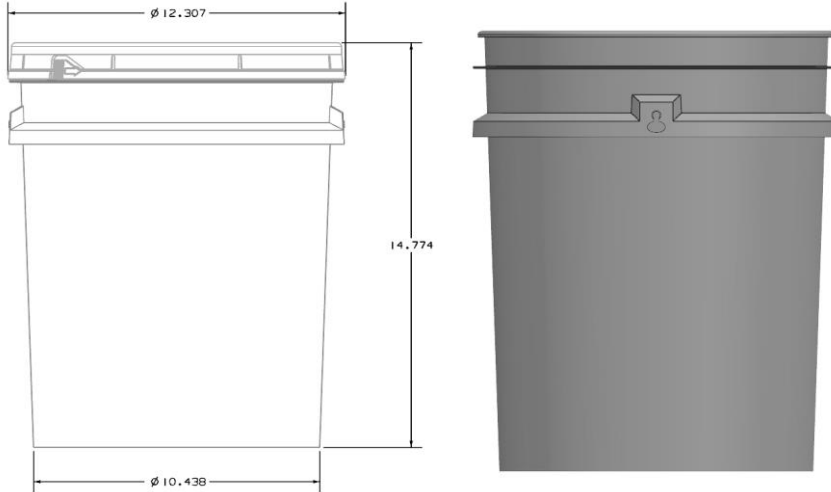




PolyPailTM Inc.

5-GALLON PAIL



SPECIFICATIONS:

Height.....	14.562"
Outer Diameter at Top.....	12.307"
Bottom Diameter.....	10.438"
Thickness.....	90 mil
Volume.....	5.330-Gallons with lid, 5.636-Gallons without lid

53' TRUCKLOAD QUANTITIES:

120 pail count bundles.....	6240 pails & lids
132 pail count bundles.....	6600 pails & lids

User Guidelines: End users must ultimately make their own determination as to the suitability or compatibility of our products for his or her intended use and compliance status of the final product before using. Tests including but not limited to expected fill volume, hot fill compatibility, individual stacking procedures and compatibility with end user production equipment should be completed and verified by end user prior to purchase.

This is general sales information only. Measurements are all approximates, sizes and dimensions contained in the specifications may vary. PolyPail reserves the right to make modifications to any specifications without notice.

**Made from FDA
Approved, 100%
Prime Virgin HDPE**

**Available in
Bundle Quantities
of 120 or 132**

**Available with All
Plastic or Metal
Handles**

Colors Available

**Tear Strip Lids
and Tear Strip
Spout Lids**

POLYPAIL, INC.

1615 Grebby St. Ste A
P.160. Box 444
Delavan, WI 53115

Phone: 262-725-7575
Fax: 262-725-7577

sales@polypail.com

